

# Parts catalog

Fabius Tiro



Revision: 2005-09

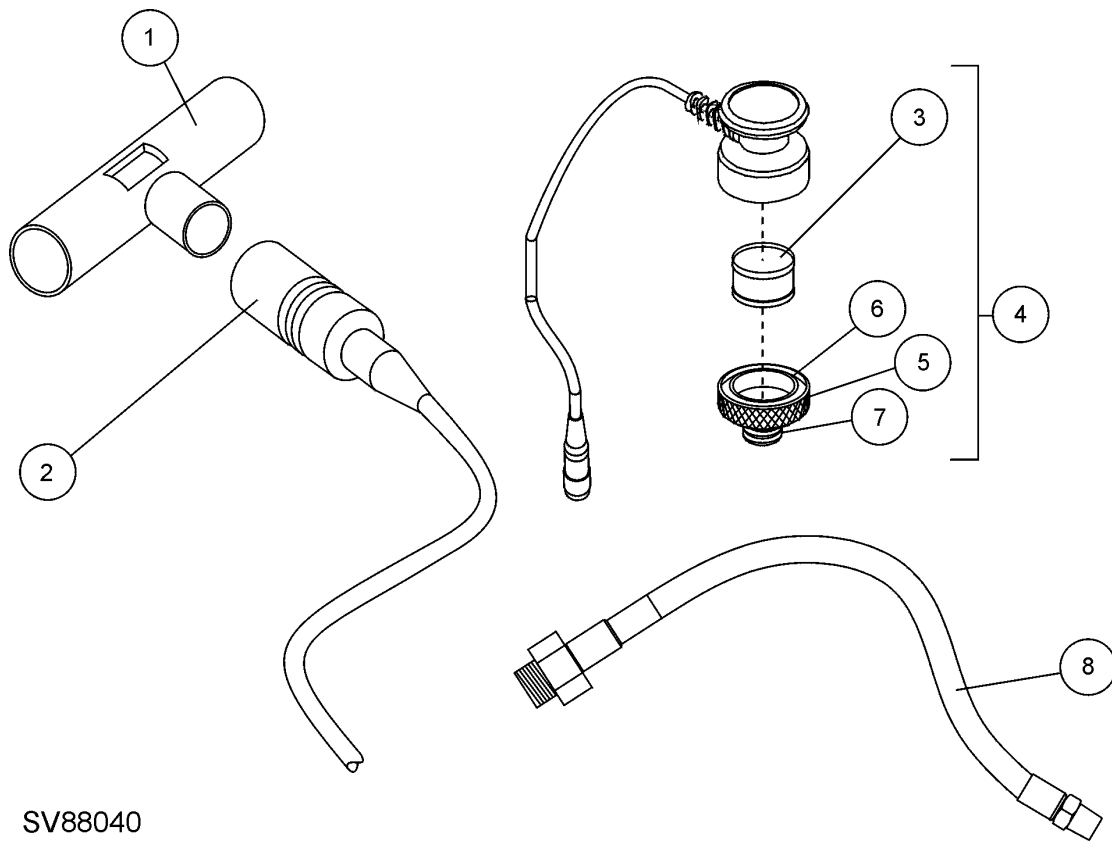
6020.002





Item No.	Part No.	Description	Qty.	Qty.u nit	Remark
1	4118453	KIT - PIVOT RAIL ASM - GCX	1.000	St	

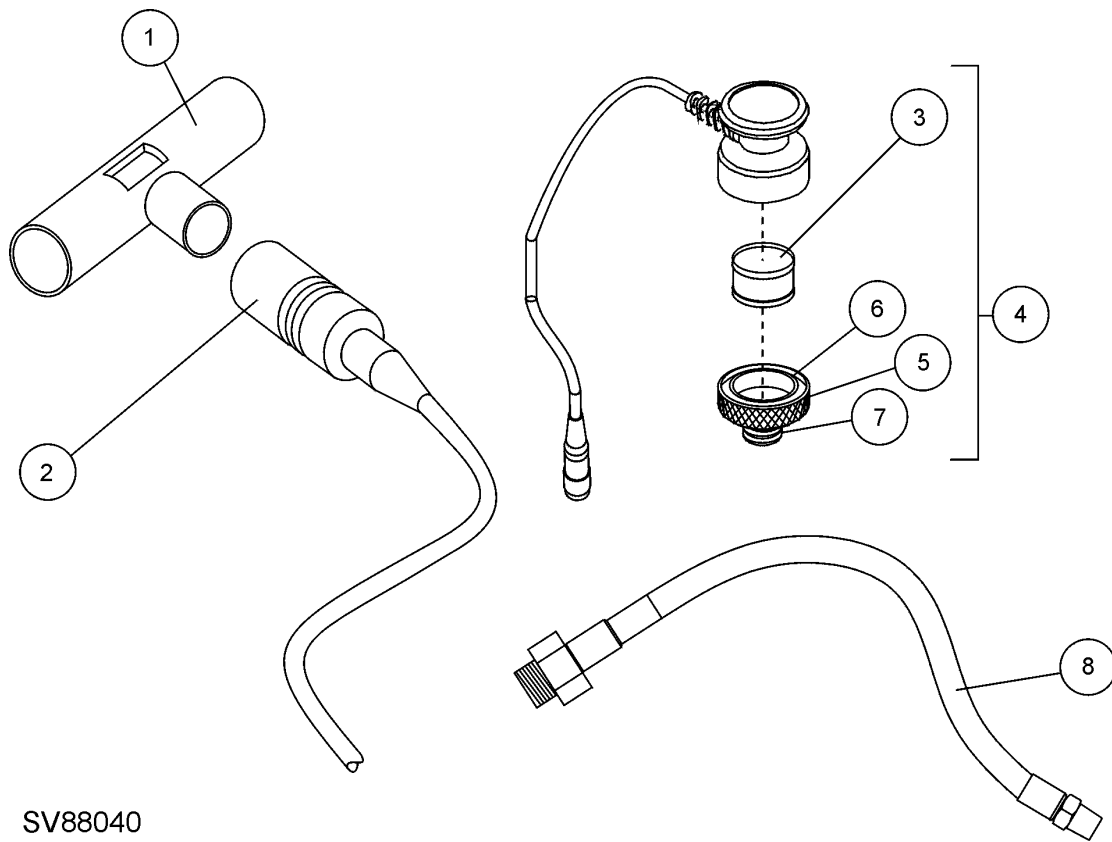
Items that are shown in the illustration but are not listed below the illustration are not available as spare parts



SV88040

Item No.	Part No.	Description	Qty.	Qty.u nit	Remark
	2165953	BREATHING BAG 1,5L	1.000	St	
	2165694	BREATHING BAG 2,0L	1.000	St	
	2165708	BREATHING BAG 2,3L	1.000	St	
	2165716	BREATHING BAG 3,0L	1.000	St	
	8402868	BACTERIA FILTER	1.000	St	
	8604875	Hose Asm-PEEP/Pmax-APL Byp LFT	1.000	St	
	8604874	Hose Asm-PEEP/Pmax-APL Byp RHS	1.000	St	
	M23225	VALVE DISK	1.000	St	
	1836722	SUPPLY MAIN 3,5M 3G1 CRSW	1.000	St	
	1841793	Power cord 10A, 3m, grey, USA/J	1.000	St	
	8301348	EARTHING CABLE, 0,8 M	1.000	St	
	8301349	EARTHING CABLE, 3,2 M	1.000	St	
	6733895	SET MIC.FILTER 654ST-ISOCLICK	1.000	St	
	M30146	HOSE SET VENTILATION	1.000	St	

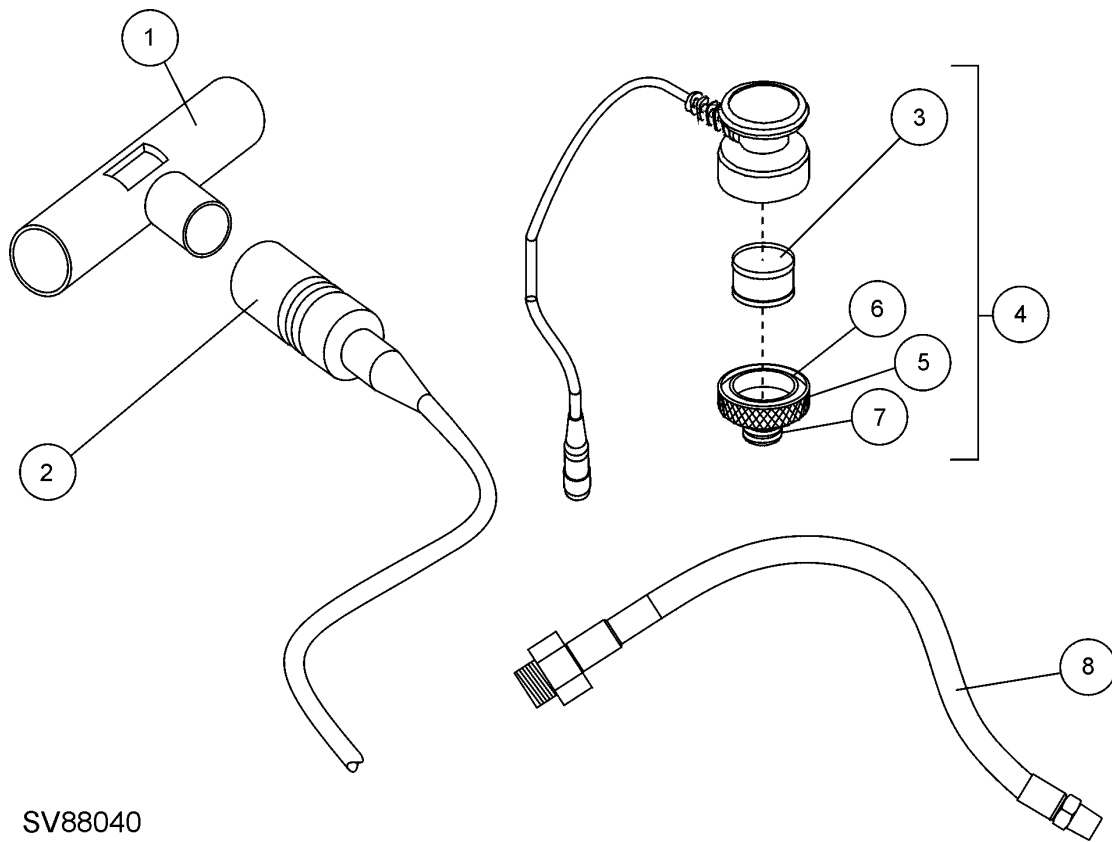
Items that are shown in the illustration but are not listed below the illustration are not available as spare parts



SV88040

Item No.	Part No.	Description	Qty.	Qty.u nit	Remark
	M33681	PEDIATRIC ACCESSORY	1.000	St	
	M27542	HOSESET CIRCLESYSTEM CHILDREN	1.000	St	
	M33278	Y-PIECE ADULT,LUER LOCK	1.000	St	
	M25682	Y-PIECE ADULT	1.000	St	
	M25650	Y-PIECE ADULT,STRAIGHT	1.000	St	
	8403075	Y-PIECE 90DEGREE	1.000	St	
	M27077	Y-PIECE STRAIGHT PAED	1.000	St	
	M25647	NOZZLE 22/22	1.000	St	
	MX22700	Anesthesia Set Basic 150cm	1.000	St	
	MX22705	Anesthesia Set Complete	1.000	St	
	MX22702	ANESTHESIA SET BASIC SMARTUBE	1.000	St	
	2165732	ANAESTHETIC-MASK SZ.1	1.000	St	
	2165740	ANAESTHETIC-MASK SZ.2	1.000	St	
	2165759	ANAESTHETIC-MASK SZ,3	1.000	St	

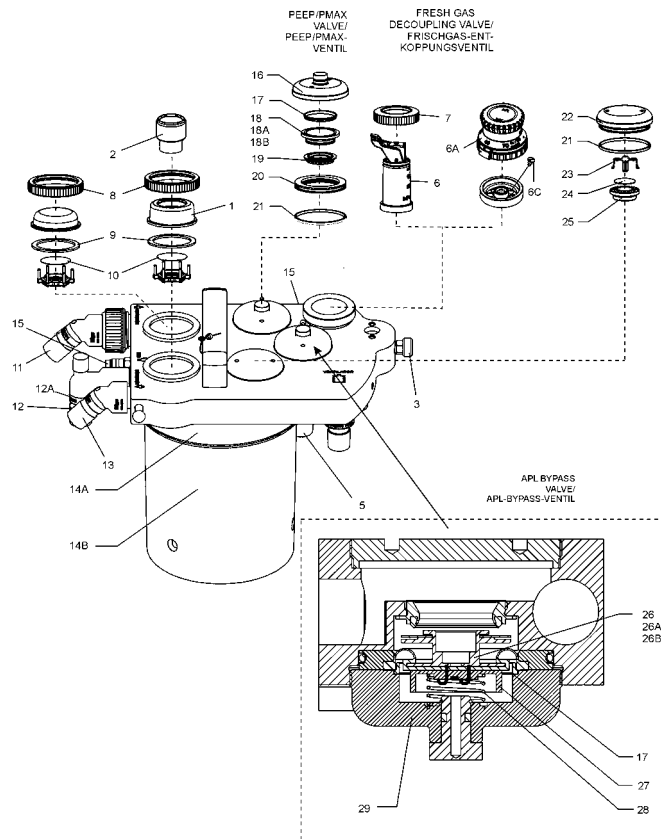
Items that are shown in the illustration but are not listed below the illustration are not available as spare parts



SV88040

Item No.	Part No.	Description	Qty.	Qty.u nit	Remark
	AB10048	CHILDREN-MASK SILICONE SIZE 1	1.000	St	
	AB10049	CHILDREN-MASK SILICONE SIZE 2	1.000	St	
	2166054	SILICON-BREATHING BAG 0,5L	1.000	St	
	2166127	SILICON-BREATHING BAG 1,5 L	1.000	St	
	2166062	SILICON-BREATHING BAG 2,3 L	1.000	St	
	2166070	SILICON-BREATHING BAG 3,0L	1.000	St	
	2165686	BREATHING BAG 0,5L	1.000	St	
1	8403735	Set of 5 Spirolog sensors	1.000	St	
2	4199951	CABLE ASM-ADAPTER SPIROLOG	1.000	St	
3	6850645	CAPSULE FOR O2-DETECTOR (DW)	1.000	St	
7	8604369	O Ring	1.000	St	
8	8604510	HOSE ASM-FRESH GAS-FAB GS	1.000	St	

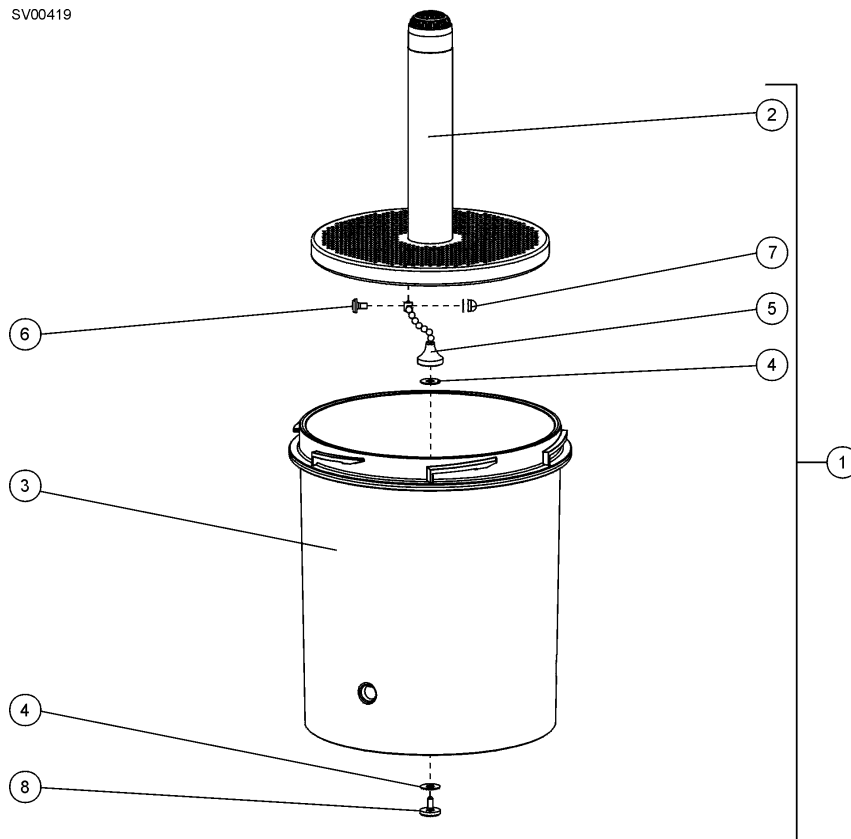
Items that are shown in the illustration but are not listed below the illustration are not available as spare parts



Item No.	Part No.	Description	Qty.	Qty.u nit	Remark
1	8604344	Dome	1.000	St	
2	4115265	PLUG ASM	1.000	St	
6	M32499	APL-VALVE	1.000	St	APL old
6A	MK00625	APL valve	1.000	St	APL new
8	M30453	Union nut	1.000	St	
10	M23225	VALVE DISK	1.000	St	

Items that are shown in the illustration but are not listed below the illustration are not available as spare parts

SV00419



Item No.	Part No.	Description	Qty.	Qty.u nit	Remark
1	M29320	ABSORBER CICERO	1.000	St	
2	M29999	ABSORBER INSERT	1.000	St	
3	M29994	ABSORBER POT	1.000	St	

Items that are shown in the illustration but are not listed below the illustration are not available as spare parts

Assembly	Description	Part No.
<b>absorber</b>		
	ABSORBER CICERO	M29320
	ABSORBER INSERT	M29999
	ABSORBER POT	M29994

Assembly	Description	Part No.
<b>Accessories/ Consumables</b>		
	ANAESTHETIC-MASK SZ,3	2165759
	ANAESTHETIC-MASK SZ.1	2165732
	ANAESTHETIC-MASK SZ.2	2165740
	Anesthesia Set Basic 150cm	MX22700
	ANESTHESIA SET BASIC SMARTUBE	MX22702
	Anesthesia Set Complete	MX22705
	BACTERIA FILTER	8402868
	BREATHING BAG 0,5L	2165686
	BREATHING BAG 1,5L	2165953
	BREATHING BAG 2,0L	2165694
	BREATHING BAG 2,3L	2165708
	BREATHING BAG 3,0L	2165716
	CABLE ASM-ADAPTER SPIROLOG	4199951
	CAPSULE FOR O2-DETECTOR (DW)	6850645
	CHILDREN-MASK SILICONE SIZE 1	AB10048
	CHILDREN-MASK SILICONE SIZE 2	AB10049
	EARTHING CABLE, 0,8 M	8301348
	EARTHING CABLE, 3,2 M	8301349
	HOSE ASM-FRESH GAS-FAB GS	8604510
	Hose Asm-PEEP/Pmax-APL Byp LFT	8604875
	Hose Asm-PEEP/Pmax-APL Byp RHS	8604874
	HOSE SET VENTILATION	M30146
	HOSESET CIRCLESYSTEM CHILDREN	M27542
	NOZZLE 22/22	M25647
	O Ring	8604369
	PEDIATRIC ACCESSORY	M33681
	Power cord 10A, 3m, grey, USA/J	1841793
	SET MIC.FILTER 654ST-ISOCCLICK	6733895
	Set of 5 Spirolog sensors	8403735
	SILICON-BREATHING BAG 0,5L	2166054
	SILICON-BREATHING BAG 1,5 L	2166127
	SILICON-BREATHING BAG 2,3 L	2166062
	SILICON-BREATHING BAG 3,0L	2166070
	SUPPLY MAIN 3,5M 3G1 CRSW	1836722
	VALVE DISK	M23225
	Y-PIECE 90DEGREE	8403075
	Y-PIECE ADULT	M25682
	Y-PIECE ADULT, LUER LOCK	M33278
	Y-PIECE ADULT, STRAIGHT	M25650
	Y-PIECE STRAIGHT PAED	M27077

Assembly	Description	Part No.
<b>AGGS-System</b>		
	AGS CONTAINER	M33292
	AGS-SYSTEM, BASIC UNIT	M33300
	FILTER	M33294
	Label Vacuum Suction	8605459
<b>breathing system COSY2</b>		
	APL valve	MK00625
	APL-VALVE	M32499
	Dome	8604344
	PLUG ASM	4115265
	Union nut	M30453
	VALVE DISK	M23225
<b>Bronch succ. system</b>		
	KIT - PIVOT RAIL ASM - GCX	4118453
<b>Maintenance parts</b>		
	CAPSULE FOR O2-DETECTOR (DW)	6850645
	HOSE 4X1,5-SI 50 SH A NF	1190520
	Hose Asm-PEEP/Pmax-APL Byp LFT	8604875
	Hose Asm-PEEP/Pmax-APL Byp RHS	8604874
	Set of 5 Spirolog sensors	8403735
	VALVE DISK	M23225
<b>Manuals Tiro</b>		
	IfU Fabius Tiro 2.n de	9038131
	IfU Fabius Tiro 2.n en	9038132
	IfU Fabius Tiro 2.n enUS	9038147
	IfU Fabius Tiro 2.n es	9038135
	IfU Fabius Tiro 2.n fr	9038133
	IfU Fabius Tiro 2.n it	9038136
	IfU Fabius Tiro 2.n nl	9038142
	TD Fabius Tiro de	9036220
	TD Fabius Tiro en	9036221
	TD Fabius Tiro es	9036222
	TD Fabius Tiro fr	9036223
<b>Ventilator</b>		
	DIAPHRAGM,CUP	2600650
	O-RING SEAL	2M08777
	patient assembly	8604319