

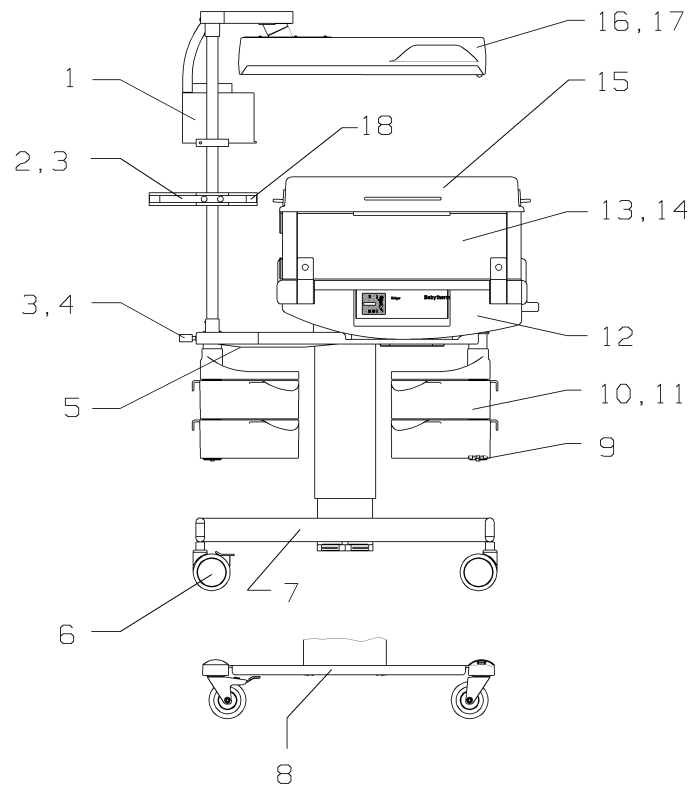
Parts catalog

Babytherm 8010/8004



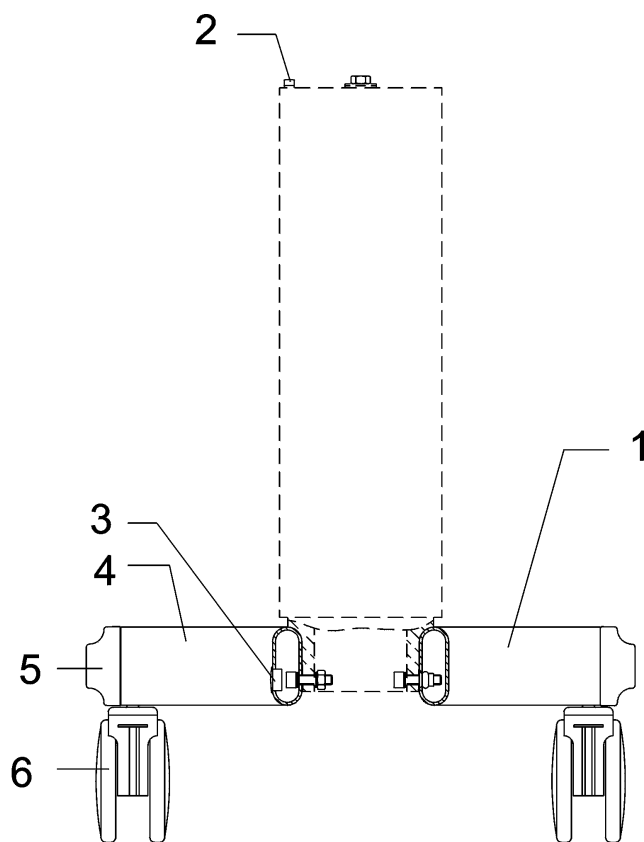
Revision: 2005-10

6132.300



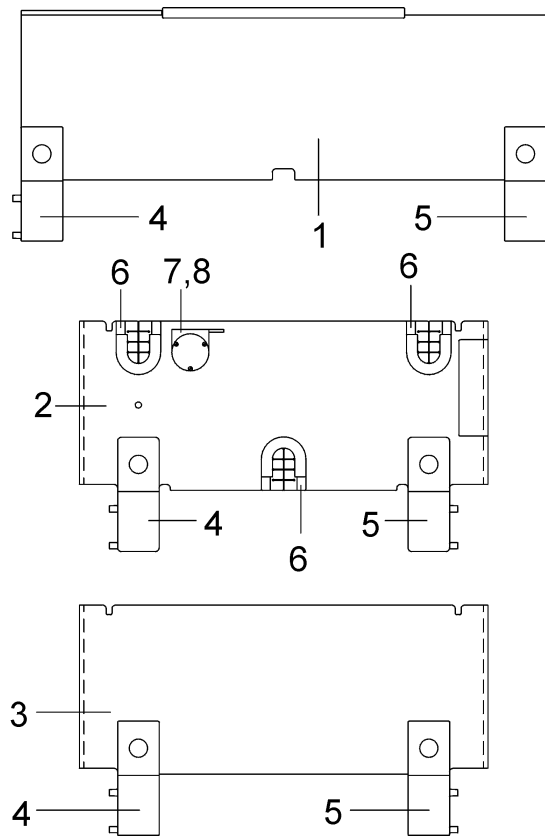
Item No.	Part No.	Description	Qty.	Qty.u nit	Remark
11	2M20642	INSERT	1.000	St	
15	2M30392	HINGED HOOD	1.000	St	

Items that are shown in the illustration but are not listed below the illustration are not available as spare parts



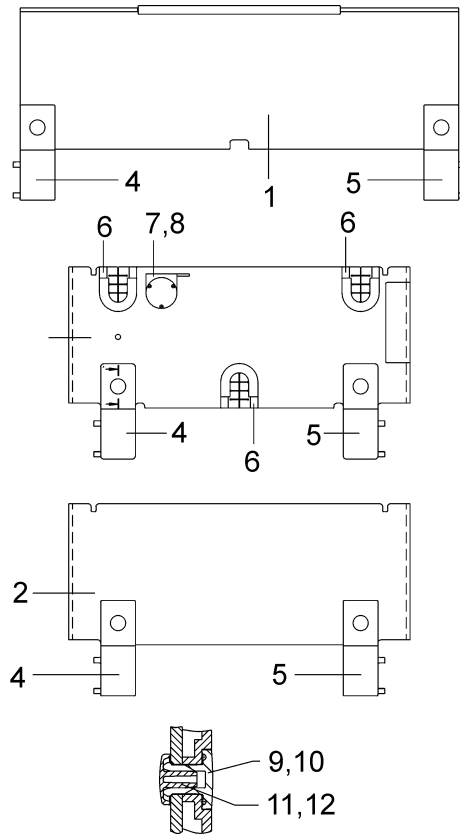
Item No.	Part No.	Description	Qty.	Qty.u nit	Remark
3	2M18020	CAP	1.000	St	

Items that are shown in the illustration but are not listed below the illustration are not available as spare parts



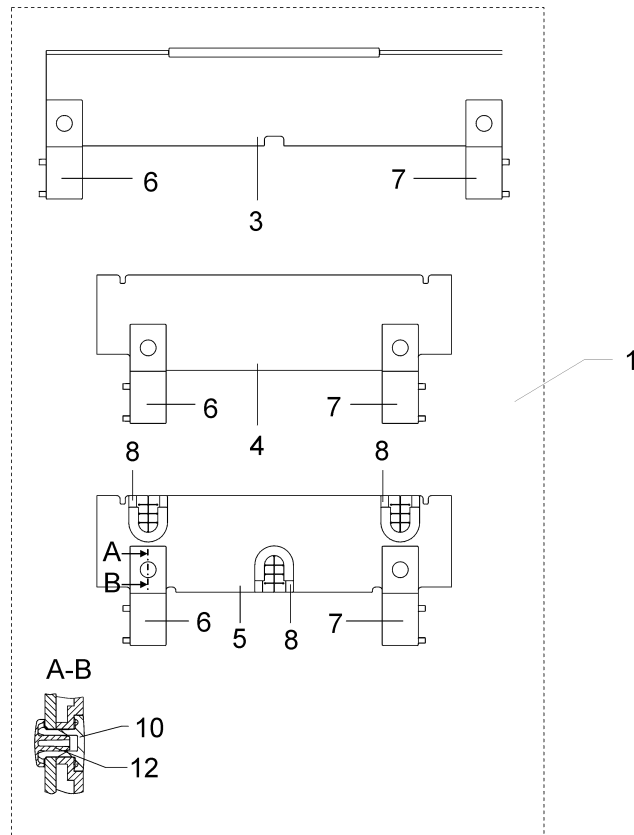
Item No.	Part No.	Description	Qty.	Qty.u nit	Remark
1	2M20931	SIDE PANE (23 CM)	1.000	St	
2	2M20932	FRONT PANE (23 CM)	1.000	St	
3	2M20937	REAR PANE (23 CM)	1.000	St	
6	2M20434	TUBE BUSHING	1.000	St	

Items that are shown in the illustration but are not listed below the illustration are not available as spare parts



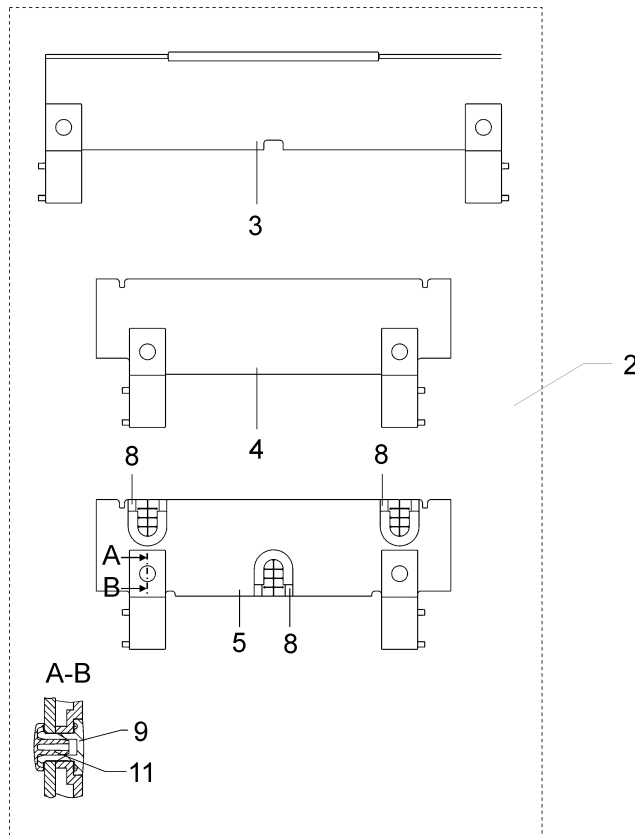
Item No.	Part No.	Description	Qty.	Qty.u nit	Remark
1	2M20931	SIDE PANE (23 CM)	1.000	St	
2	2M20932	FRONT PANE (23 CM)	1.000	St	
6	2M20434	TUBE BUSHING	1.000	St	

Items that are shown in the illustration but are not listed below the illustration are not available as spare parts



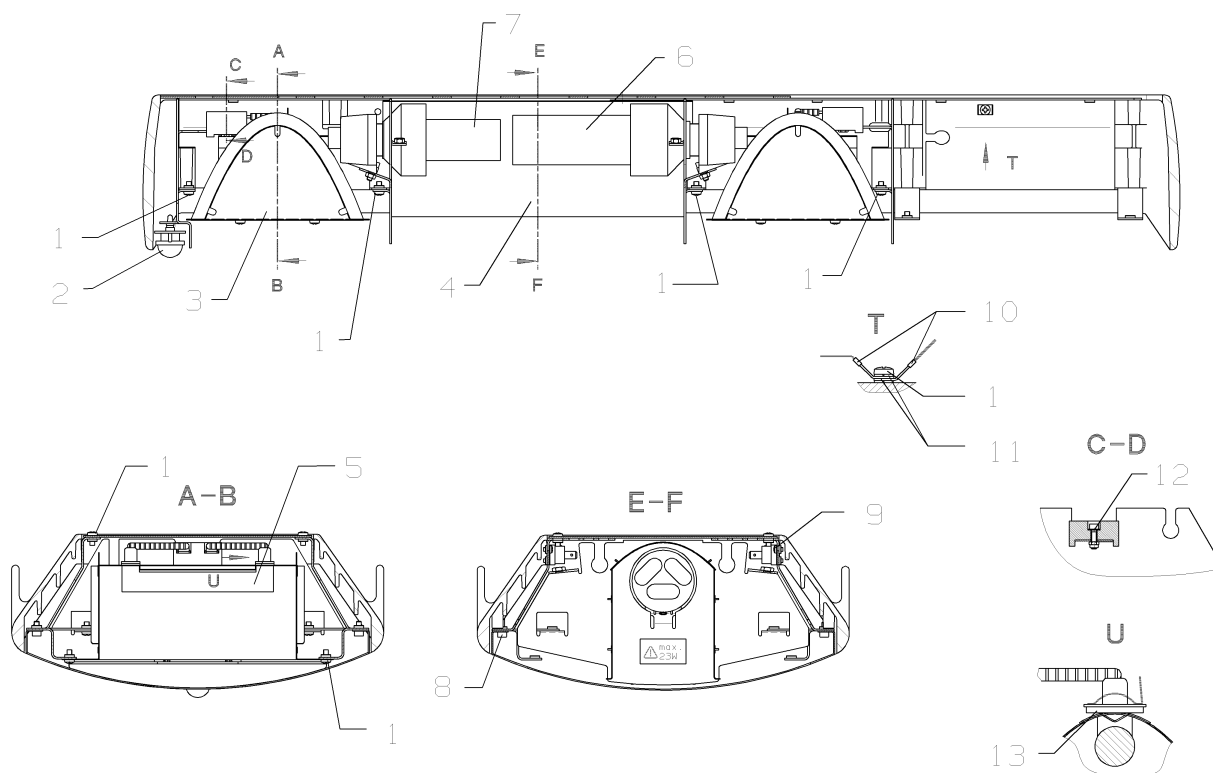
Item No.	Part No.	Description	Qty.	Qty.u nit	Remark
1	2M21032	SIDE WALLS,HEIGHT 15CM	1.000	St	
3	2M20886	SIDE PANE (15 CM)	1.000	St	
4	2M20891	FRONT PANE (15CM)	1.000	St	
5	2M20892	REAR PANE (15 CM)	1.000	St	
8	2M20434	TUBE BUSHING	1.000	St	

Items that are shown in the illustration but are not listed below the illustration are not available as spare parts



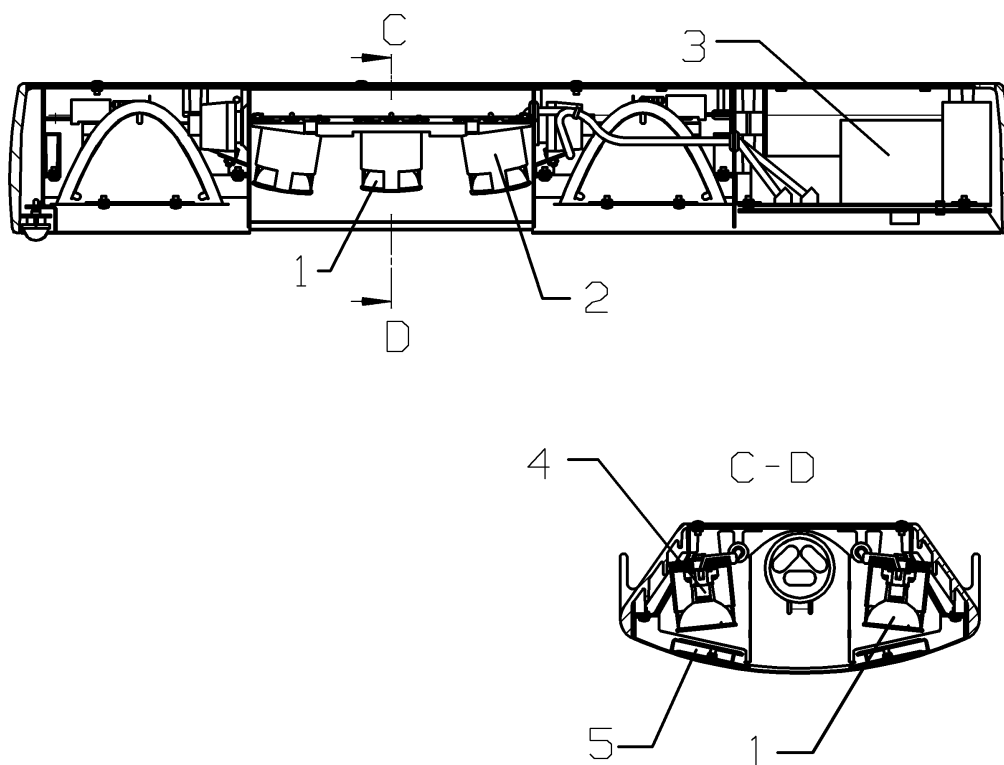
Item No.	Part No.	Description	Qty.	Qty.u nit	Remark
2	2M30242	SIDE WALLS,HEIGHT 15CM WHITE	1.000	St	
3	2M20886	SIDE PANE (15 CM)	1.000	St	
4	2M20891	FRONT PANE (15CM)	1.000	St	
5	2M20892	REAR PANE (15 CM)	1.000	St	
8	2M20434	TUBE BUSHING	1.000	St	

Items that are shown in the illustration but are not listed below the illustration are not available as spare parts



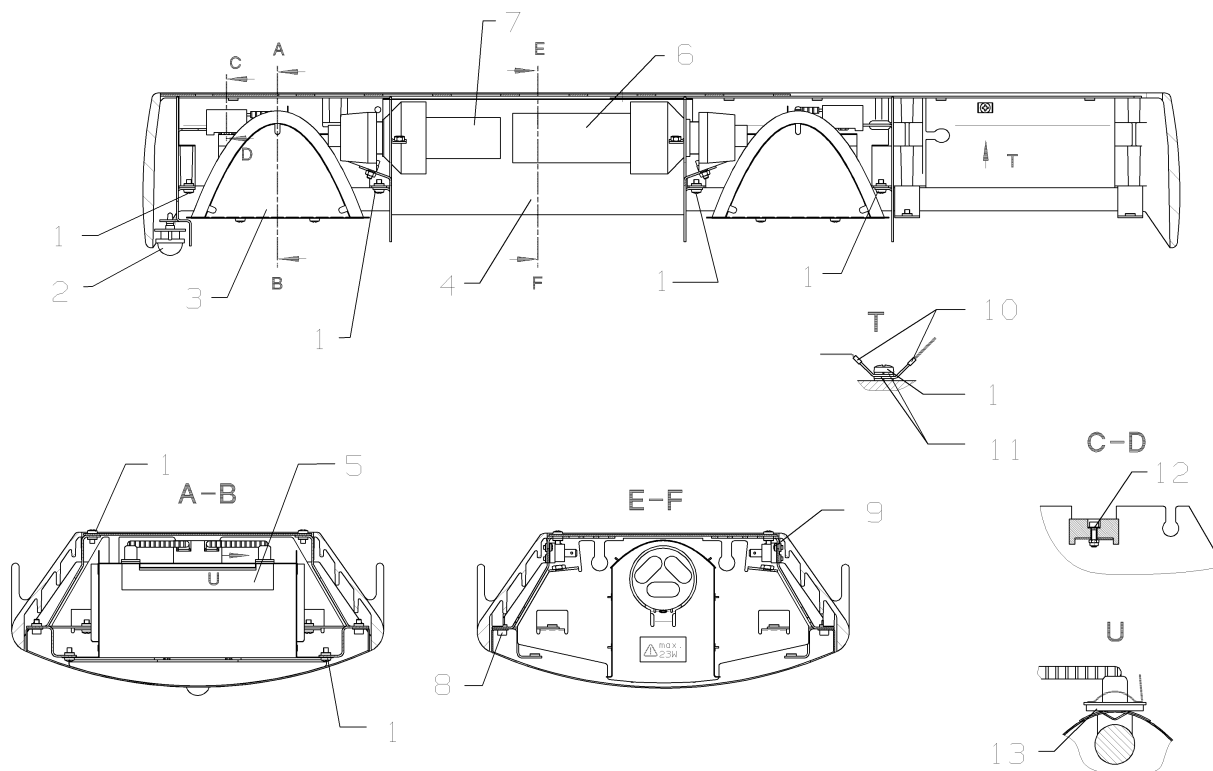
Item No.	Part No.	Description	Qty.	Qty.u nit	Remark
6	2M30079	INCANDESCENT LAMP 23W 230V	1.000	St	
7	2M30078	INCANDESCENT LAMP 7W 230V	1.000	St	

Items that are shown in the illustration but are not listed below the illustration are not available as spare parts



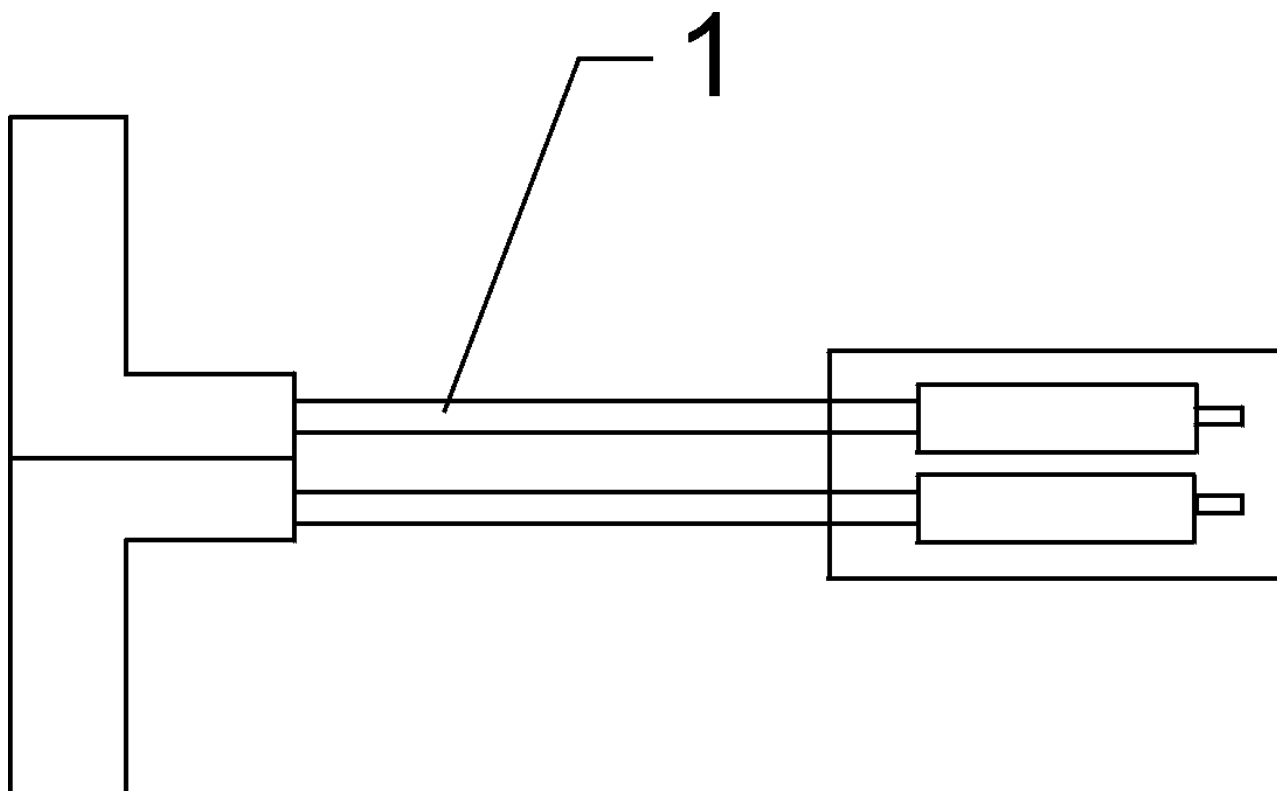
Item No.	Part No.	Description	Qty.	Qty. unit	Remark
1	2M30084	HALOGENLAMP 12V 50W	1.000	St	

Items that are shown in the illustration but are not listed below the illustration are not available as spare parts



Item No.	Part No.	Description	Qty.	Qty.u nit	Remark
6	2M30160	LAMP 23W/120V	1.000	St	
7	2M30161	LAMP 9W/120V	1.000	St	

Items that are shown in the illustration but are not listed below the illustration are not available as spare parts



Item No.	Part No.	Description	Qty.	Qty. unit	Remark
	2M11111	THERMOMETER	1.000	St	
1	7911314	SENSOR TEST CONNECTOR	1.000	St	

Items that are shown in the illustration but are not listed below the illustration are not available as spare parts

Assembly	Description	Part No.
Accessories/Consumables		
	ASPIRATION HOSE	M25780
	CAPSULE FOR O2-DETECTOR (DW)	6850645
	CYLINDER CAP WITH VALVE	2M85012
	GEL-MATTRESS / BABYTHERM 8000	2M20827
	HALOGENLAMP 12V 50W	2M30084
	HOOK	2M21293
	INCANDESCENT LAMP 23W 230V	2M30079
	INCANDESCENT LAMP 7W 230V	2M30078
	Matress, Babytherm	2M21012
	MATTRESS-CLOTH/BT8000	2M21272
	RECEPTACLE	2M85594
	REPAIR-KIT FOR GEL-MATTRESS	2M21324
	SECRETION CONTROL GLASS	M07582
	SENSOR HOUSING OXYDIG	6850250
	SET OF 5 BACTERIA FILT.(CH102)	6723976
	SET OF WASTE BAGS	M26240
	ThermoPad (50pc)	MX11002
	ThermoTrace Core (5pc)	MX11000
	ThermoTrace Peripheral (5pc)	MX11001
	TUBE BUSHING	2M20434
Basic Unit		
	HINGED HOOD	2M30392
	HOOK	2M21293
	INSERT	2M20642
BRONCH.ASPIR.		
	BACTERIA FILTERS	CH00102
HANDLES		
	END PIECE	2M20696
Maintanance Parts/Service Sets		
	HALOGENLAMP 12V 50W	2M30084
	SET OF 5 BACTERIA FILT.(CH102)	6723976

Assembly	Description	Part No.
-----------------	--------------------	-----------------

Manuals\Techn.Documentation

	IFU Babytherm 8004/8010 sv	9029463
	UM Babytherm 8004/8010 hu	9037777
	UM Babytherm 8004/8010 no	9037775
	UM Babytherm 8004/8010 pl	9037774
	USER MAN BABYTHERM ES (CE)	9029460
	USER MAN BABYTHERM GERMAN CE	9029457
	USER MAN BABYTHERM NL (CE)	9029461
	USER MAN BT 8004/8010 FR	9029459
	USER MAN BT 8004/8010 RU	9029467
	USER MAN BT 8010/8004 EN	9029458

Assembly	Description	Part No.
Modification Kits/Options		
	ADAPTOR O2 (NIST/DIN)	M32493
	Aspiration hose holder	2M85239
	BABYLINK CABLE BL.8000	8306488
	Basket 150	M26146
	Basket 300	M26145
	Basket 600	M25121
	COMPACT RAIL	2M85337
	COMPR.AIR DISTRIBUTOR W.CLAMP	2M19090
	Connecting hose holder	2M85446
	DEPOSIT PLATE	2M21158
	DOUBLE CLAMP	G13147
	HANDLE,CPL. / BT.8000	2M21161
	HINGED HOOD	2M30392
	Holder for litter bags	M24695
	HOSE SUPPORT	2M21191
	Humidifier-bubbler	2M85834
	Humidifier-nebulizer	2M85835
	Infusion support	2M21514
	MiniOx3000 oxygen monitor	2M22464
	Mounting bracket for rail	2M22460
	O2/AIR-HOSE NIST 1,5MDIN PROBE	M34410
	O2/AIR-HOSE NIST 3M DIN PROBE	M34411
	O2/AIR-HOSE NIST 5M DIN PROBE	M34412
	O2-DISTRIBUTOR W.CLAMP	2M18810
	O2-Flowmeter 16L,R.S.	2M86551
	O2-HOOD	2M19250
	O2-HOSE NIST 1,5M DIN-PROBE	M34401
	O2-HOSE NIST 3M DIN PROBE	M34402
	O2-HOSE NIST 5M DIN PROBE	M34403
	O2-Sensor MiniOx 3000	2M22461
	RAIL SEPARATE 400MM	G13851
	RAIL SEPARATE 600MM	G13829
	RAIL SEPARATE 800MM	G14449
	RAIL-HOLDER LONG	G13821
	RAIL-HOLDER SHORT	G13822
	SET OF CABLES A.HOSE SUPPORTS	G13171
	SUPPORT	2M21342
	TABLE INCLINABLE,COMPLET	2M21186

Assembly	Description	Part No.
Panes, Hinges, 15 cm		
	FRONT PANE (15CM)	2M20891
	INNER WALLS F. BABYTHERM	2M20936
	innerpanell, France	2M30261
	REAR PANE (15 CM)	2M20892
	SIDE PANE (15 CM)	2M20886
	SIDE WALLS,HEIGHT 15CM	2M21032
	SIDE WALLS,HEIGHT 15CM WHITE	2M30242
	TUBE BUSHING	2M20434
Panes, Hinges, 23 cm		
	FRONT PANE (23 CM)	2M20932
	INNER WALLS F. BABYTHERM	2M20936
	innerpanell, France	2M30261
	REAR PANE (23 CM)	2M20937
	SIDE PANE (23 CM)	2M20931
	SIDE WALLS,HEIGHT 23CM	2M21034
	SIDE WALLS,HIGH 23CM,WHITE	2M30301
	TUBE BUSHING	2M20434
Phototherapie		
	HALOGENLAMP 12V 50W	2M30084
Products concerned		
	BABYTHERM 8010 100V-240V	FR00105
	BT8004 220-240V MODULAR SYSTEM	FR00104
Radiant Heater 120V		
	LAMP 23W/120V	2M30160
	LAMP 9W/120V	2M30161
Radiant Heater 230V		
	INCANDESCENT LAMP 23W 230V	2M30079
	INCANDESCENT LAMP 7W 230V	2M30078
Tools		
	SENSOR TEST CONNECTOR	7911314
	THERMOMETER	2M11111
Trolley, large f. var.column		
	CAP	2M18020