

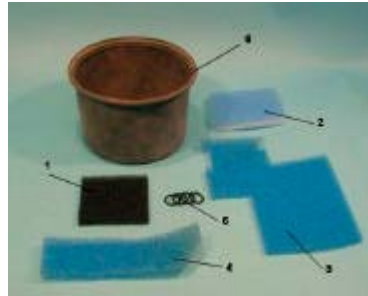
# Spare parts catalogue

Apollo





Item No.	Part No.	Description	Qty.	Qty.unit	Rep.end	Page	Remark
	8605310	Basic Unit Floor Apollo	1.000	St	00000000		



Item No.	Part No.	Description	Qty.	Qty.unit	Rep.end	Page	Remark
1	8603662	FILTER MAT	1.000	St	29991231		
2	6870910	FILTER MAT	1.000	St	29991231		
3	8603301	FILTER MAT	1.000	St	29991231		
4	8603144	FILTER MAT	1.000	St	29991231		
5	U04314	O-RING SEAL	4.000	St	29991231		
6	2600650	DIAPHRAGM,CUP	1.000	St	29991231		



Item No.	Part No.	Description	Qty.	Qty.unit	Rep.end	Page Remark
2	8601238	NAFION 150 LG.	1.000	St	29991231	
3	8603585	FILTER MAT	1.000	St	29991231	
4	M19238	MESH BOTTOM	3.000	St	29991231	
5	8603780	DIAPHRAGM	1.000	St	29991231	
6	8603781	SEALING WASHER	1.000	St	29991231	
7	M33275	DIAPHRAGM	1.000	St	29991231	
8	R52382	O-RING SEAL	2.000	St	29991231	
9	2600650	DIAPHRAGM,CUP	1.000	St	29991231	
10	6870910	FILTER MAT	1.000	St	29991231	
11	8603144	FILTER MAT	1.000	St	29991231	
12	8603301	FILTER MAT	1.000	St	29991231	
13	8603662	FILTER MAT	1.000	St	29991231	
14	U04314	O-RING SEAL	4.000	St	29991231	



Item No.	Part No.	Description	Qty.	Qty.unit	Rep.end	Page	Remark
2	8603057	ACCU	2.000	St	29991231		
4	2600650	DIAPHRAGM,CUP	1.000	St	29991231		
5	6870910	FILTER MAT	1.000	St	29991231		
6	8603144	FILTER MAT	1.000	St	29991231		
7	8603301	FILTER MAT	1.000	St	29991231		
8	8603662	FILTER MAT	1.000	St	29991231		
9	U04314	O-RING SEAL	4.000	St	29991231		

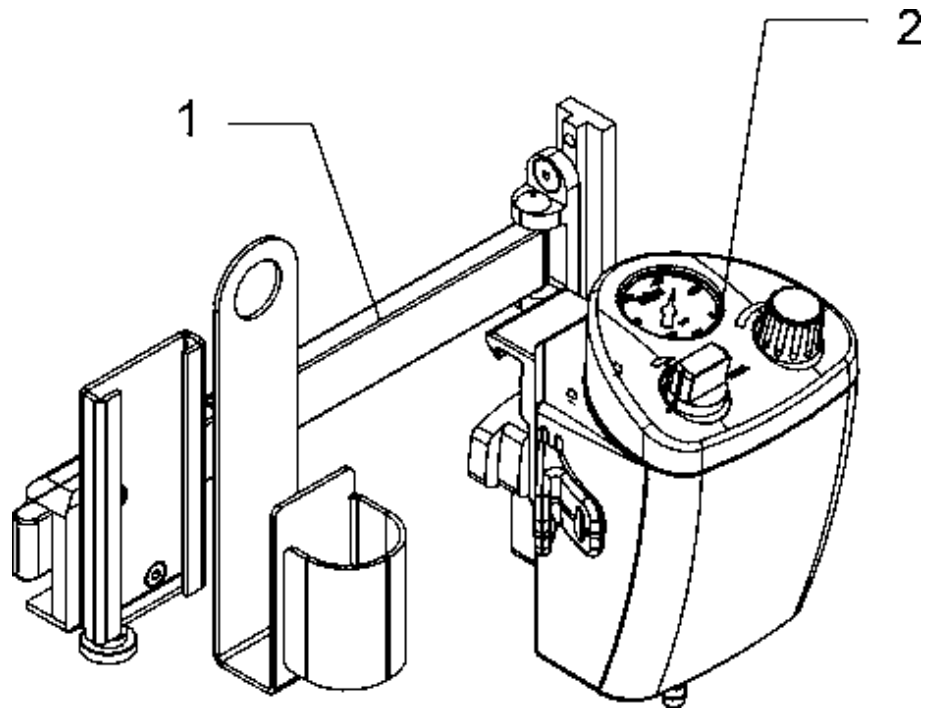
2005-02-09 13:56:51  
 Schutzvermerk DIN 34 beachten. Copyright reserved.

Keine Zeichnung vorgesehen  
No drawing planned/scheduled  
Aucun schéma prévu  
Ningún plano previsto

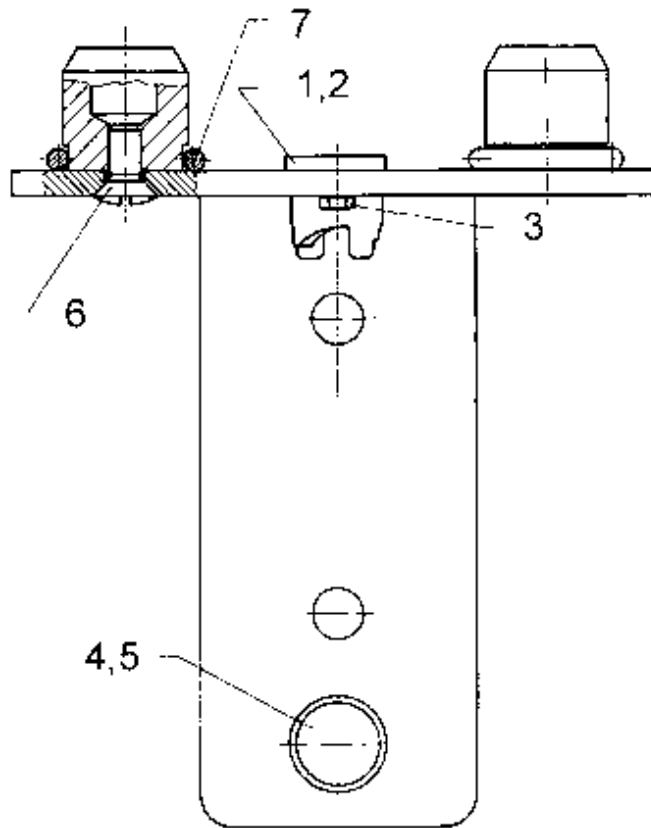
Item No.	Part No.	Description	Qty.	Qty.unit	Rep.end	Page Remark
	8605477	Filter	1.000	St	29991231	
	MX08047	E-SET BASEOVERHAUL	1.000	St	29991231	
	MX08060	SET OF LABELS	1.000	St	29991231	
	MX08158	REP.SET GASKET/C (USA)	1.000	St	29991231	
	MX08649	Pressure-reducing valve	1.000	St	29991231	
	MK00514	FILTER	1.000	St	29991231	



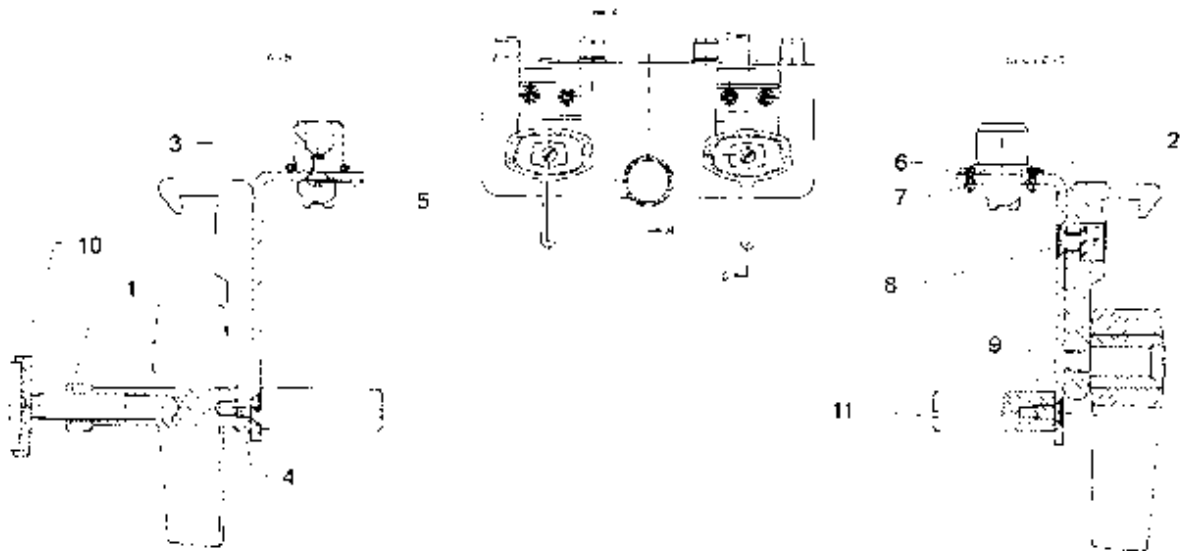
Item No.	Part No.	Description	Qty.	Qty.unit	Rep.end	Page Remark
	8603870	Upgrade kit Spo2 Apollo	1.000	St	00000000	



Item No.	Part No.	Description	Qty.	Qty.unit	Rep.end	Page	Remark
1	8605416	Kit Suction Rail Assembly	1.000	St	29991231		
2	MK03140	Suction Vacuum_Diss	1.000	St	00000000		



Item No.	Part No.	Description	Qty.	Qty.unit	Rep.end	Page Remark
1-8	M25102	SUPPORT FOR PARKING POSITION	1.000	St	00000000	



Item No.	Part No.	Description	Qty.	Qty.unit	Rep.end	Page	Remark
1-11	M26966	HOLDING DEVICE PARK.POS.RAIL	1.000	St	00000000		



Item No.	Part No.	Description	Qty.	Qty.unit	Rep.end	Page Remark
1	8605361	Halogenlampe 12V	1.000	St	00000000	
2	8604126	Halogen lamp mount(ing),compl.	1.000	St	00000000	

Keine Zeichnung vorgesehen  
 No drawing planned/scheduled  
 Aucun schéma prévu  
 Ningún plano previsto

Item No.	Part No.	Description	Qty.	Qty.unit	Rep.end	Page	Remark
	MX50065	SpO2 Adhes.Sens.Max A 24pcs.	1.000	St	00000000		
	MX50066	SpO2 Adhes.Sens.Max P 24pcs.	1.000	St	00000000		
	MX50067	SpO2 Adhes.Sens.Max I 24pcs.	1.000	St	00000000		
	MX50068	SpO2 Adhes.Sens.Max N 24pcs.	1.000	St	00000000		
	MX50069	SpO2 Adhes.Sens.Max R 24pcs.	1.000	St	00000000		
	MX50070	SpO2 Adhes.Sens.MaxFast 24pcs.	1.000	St	00000000		
	MX50071	SpO2 Adhes.Sens.Max AL 24pcs.	1.000	St	00000000		
	5720071	SPO2-LENGTHENING CABLE 1,3M	1.000	St	20101231		
	8600859	EXTENSION CABLE SENSOR 2,6M	1.000	St	00000000		

Keine Zeichnung vorgesehen  
No drawing planned/scheduled  
Aucun schéma prévu  
Ningún plano previsto

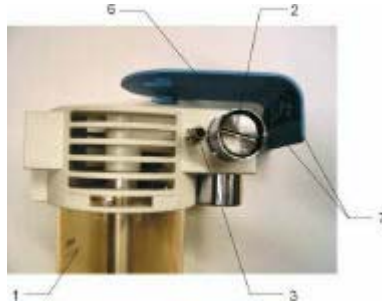
Item No.	Part No.	Description	Qty.	Qty.unit	Rep.end	Page	Remark
	MX50050	Draegersorb FREE (5L)	1.000	St	00000000		

Keine Zeichnung vorgesehen  
No drawing planned/scheduled  
Aucun schéma prévu  
Ningún plano previsto

Item No.	Part No.	Description	Qty.	Qty.unit	Rep.end	Page Remark
	M33300	AGS-SYSTEM, BASIC UNIT	1.000	St	00000000	complete



Item No.	Part No.	Description	Qty.	Qty.unit	Rep.end	Page	Remark
1	M33292	AGS CONTAINER	1.000	St	29991231		
1-8	M33300	AGS-SYSTEM, BASIC UNIT	1.000	St	00000000		
5	M33294	FILTER	1.000	St	29991231		



Item No.	Part No.	Description	Qty.	Qty.unit	Rep.end	Page Remark
1	M33292	AGS CONTAINER	1.000	St	29991231	

Item No.	Part No.	Description	Qty.	Qty.unit	Rep.end	Page	Remark
	8605459	Label Vacuum Suction	1.000	St	29991231		

Keine Zeichnung vorgesehen  
No drawing planned/scheduled  
Aucun schéma prévu  
Ningún plano previsto

Item No.	Part No.	Description	Qty.	Qty.unit	Rep.end	Page Remark
	M33295	AGS-TRANSFER HOSE 1,0M	1.000	St	00000000	

Keine Zeichnung vorgesehen  
No drawing planned/scheduled  
Aucun schéma prévu  
Ningún plano previsto

Item No.	Part No.	Description	Qty.	Qty.unit	Rep.end	Page Remark
	9037426	GA MEDIBUS f. Apollo	1.000	St	00000000	
	9028258	Manual Dräger RS232 Medibus EN1.000		St	20111231	
	9028320	GA Dräger RS 232 Medibus de	1.000	St	20120630	

Keine Zeichnung vorgesehen  
No drawing planned/scheduled  
Aucun schéma prévu  
Ningún plano previsto

Item No.	Part No.	Description	Qty.	Qty.unit	Rep.end	Page	Remark
	9029423	GA WaterLock me	1.000	St	00000000		
	9037477	GA Endotracheale Bronchusabsau	1.000	St	00000000		





Dräger Medical AG & Co. KGaA

Moislinger Allee 53 - 55  
D-23542 Lübeck  
Federal Republic of Germany